



**MILBANK**  
ENERGY AT WORK

## S9694-O

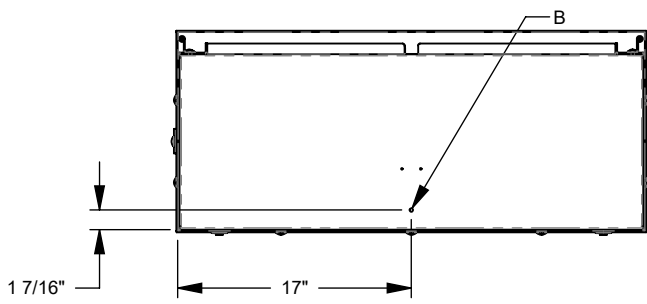
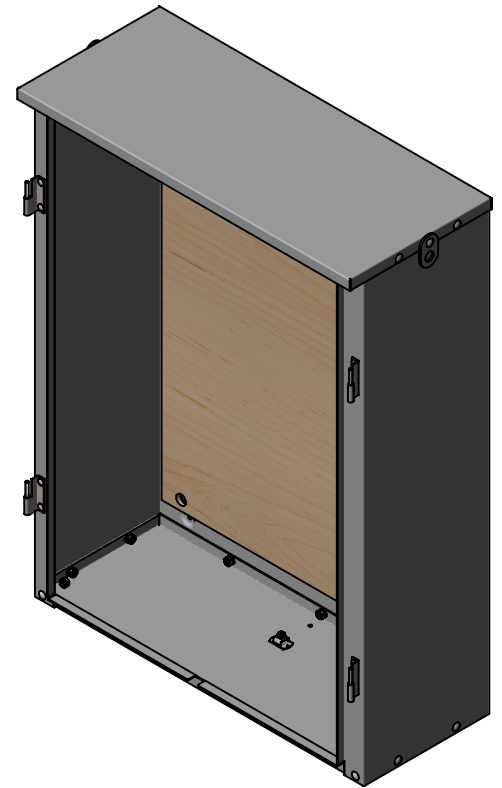
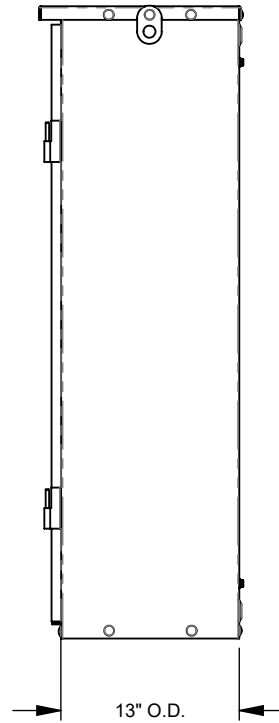
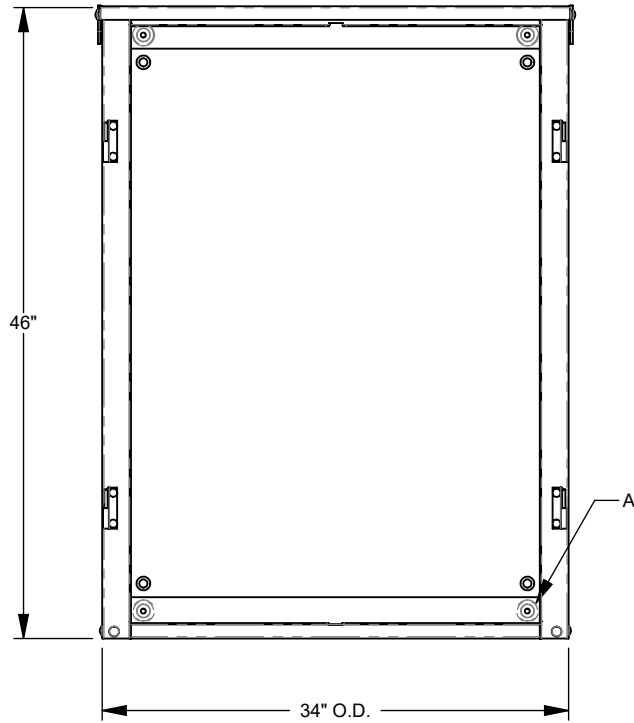


Catalog Number	S9694-O
Marketing Product Description	13 X 34 X 46 Transformer Enclosure
UPC	784572130098
Length (IN)	13
Width (IN)	34
Height (IN)	46
Weight (LB)	193
Brand Name	Milbank
Type	Hinge Cover
Application	Current Transformer Enclosure
Standard	Non UL Listed
Material	G90 Galvanized Steel with Powder Coat Finish
Size	13L x 34W x 46H
Color	ANSI 61 Gray
Cable Entry	No Knockouts
Mounting	Wall Mount
NEMA Rating	Type 3R
Door or Cover	Double Door
Back Panel	Back Panel Included
Mounting Rack	Current Transformer Mounting Rack Included
Handle	Pad Lockable 3 Point Latch

Finish	Painted
Depth	13
Cover Type	Hinge Cover

Please consult serving utility for their requirements prior to ordering or installing, as specifications and approvals vary by utility and may require local electrical inspector approval. All installations must be installed by a licensed electrician and must comply with all national and local codes, laws and regulations. Milbank reserves the right to make changes in specifications and features shown without notice or obligation.

FEATURE TABLE		
ITEM	QTY	DESCRIPTION
A	4	TRANS. MNTG.EMBOSS
B	1	¼ SOLID K.O.



Version:

**1**

**All dimensions are +/- 1/16".  
Drawing views are not to scale.**

Please consult serving utility for their requirements prior to ordering or installing, as specifications and approvals vary by utility, and may require local electrical inspector approval. All installations must be installed by a licensed electrician and must comply with all national and local codes, laws and regulations. Milbank reserves the right to make changes in specifications and features shown without notice or obligation.